

APEC Center of Excellence Workshop PMDA-ATC Medical Devices Workshop 2022

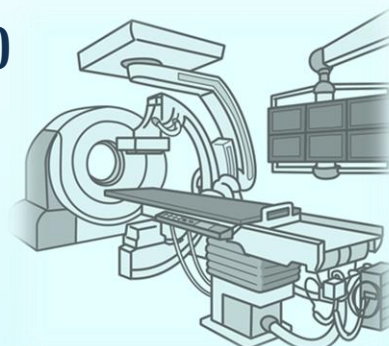
- Explanation of/Insight into IMDRF documents -

Target Audience
Regulators only

Application Deadline
September 12, 2022

Date/Time (All Time in JST: UTC+9)

- Preliminary Session;
November 7, 14:00 – 15:00
- LIVE Lectures & Case Studies;
November 14 - 16, 14:00 – 16:40



Program Overview

3-day program covering various topics including approval review, clinical evaluation and post-market safety measures for medical devices with case study group work

How to Apply

Link to the application web-page;

<https://www.pmda.go.jp/english/symposia/0239.html>



Asia-Pacific
Economic Cooperation



Pharmaceuticals and Medical Devices Agency

Email: PMDA-ATC@pmda.go.jp